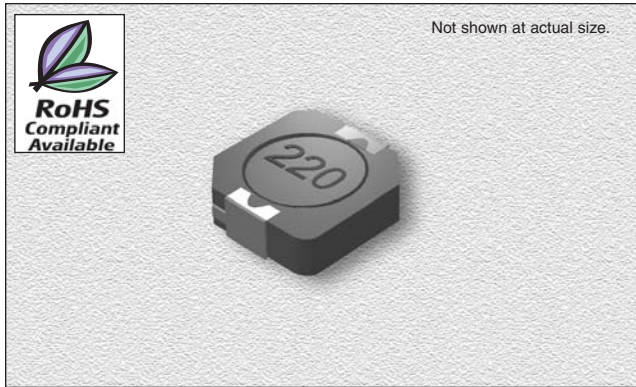


CTCDRH104R Series

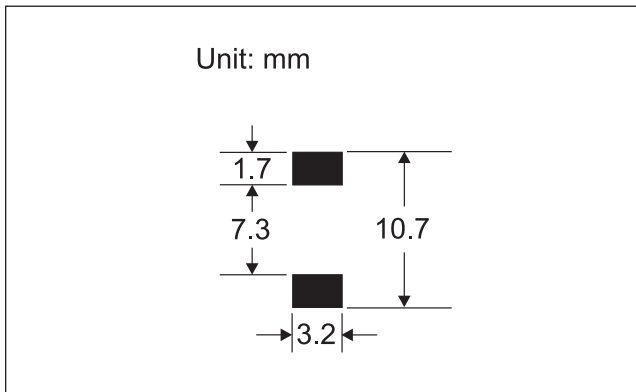
From 1.5 μ H to 330 μ H



CHARACTERISTICS

- Description:** SMD (shielded) power inductor
- Applications:** Power supplies for VTR, OA equipment, LCD televisions, PC notebooks, portable communication equipment, DC/DC converters, etc.
- Operating Temperature:** -40°C to +100°C
- Storage Temperature:** -40°C to +100°C
- Inductance Tolerance:** \pm 30%
- Testing:** Tested on a HP4285A at 100 KHz , 0.25Vrms , 0Adc
- Packaging:** Tape & Reel
- Marking:** Parts are marked with inductance code
- Miscellaneous:** RoHS Compliant available.
- Additional Information:** Additional electrical & physical information available upon request
- Samples available.** See website for ordering information.

PAD LAYOUT



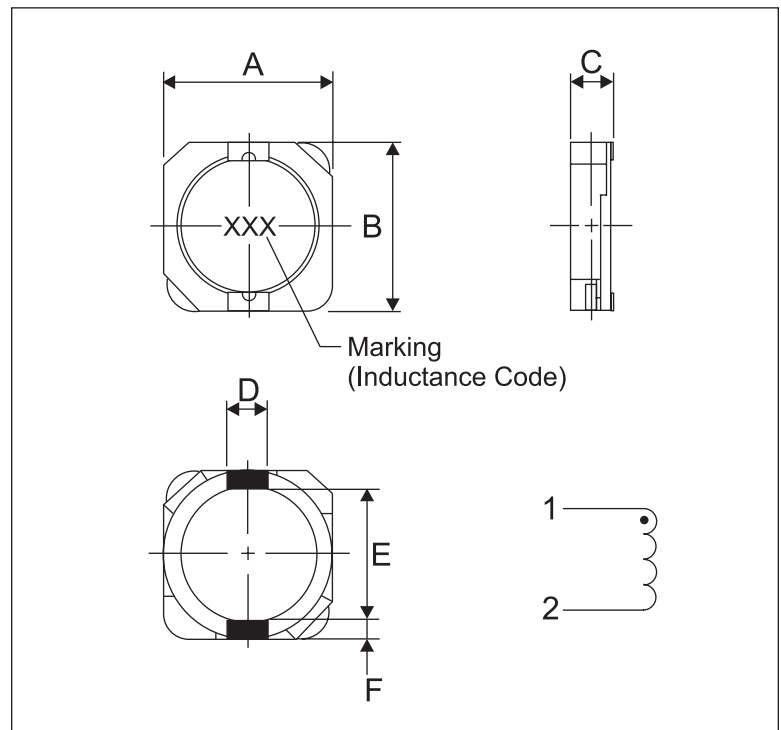
SPECIFICATIONS

Parts are available in \pm 30% tolerance only.
CTCDRH104RE Please specify "F" for RoHS Compliant
 *This IDC indicates the value of current when the inductance is 35% lower than the nominal value.

Part Number	Inductance (μ H \pm 30%)	L Test Freq. (kHz)	DCR Max. (m Ω)	*IDC (A)
CTCDRH104R_-1R5	1.5	100	8.1	10
CTCDRH104R_-2R5	2.5	100	10	7.5
CTCDRH104R_-3R8	3.8	100	15	6.0
CTCDRH104R_-5R2	5.2	100	22	5.5
CTCDRH104R_-5R8	5.8	100	22	5.5
CTCDRH104R_-7R0	7.0	100	27	4.8
CTCDRH104R_-100	10	100	35	4.4
CTCDRH104R_-150	15	100	50	3.6
CTCDRH104R_-220	22	100	73	2.9
CTCDRH104R_-330	33	100	93	2.3
CTCDRH104R_-470	47	100	128	2.1
CTCDRH104R_-680	68	100	213	1.5
CTCDRH104R_-101	100	100	304	1.35
CTCDRH104R_-151	150	100	506	1.15
CTCDRH104R_-221	220	100	756	0.92
CTCDRH104R_-331	330	100	1090	0.7

PHYSICAL DIMENSIONS

Size	A	B	C	D	E	F
mm	10.0 \pm 0.3	10.0 \pm 0.3	3.8 \pm 0.2	3.0 \pm 0.1	7.7 \pm 0.3	1.2 \pm 0.15
inches	0.39 \pm 0.01	0.39 \pm 0.01	0.15 \pm 0.01	0.12 \pm 0.003	0.30 \pm 0.01	0.05 \pm 0.006



03.19.07